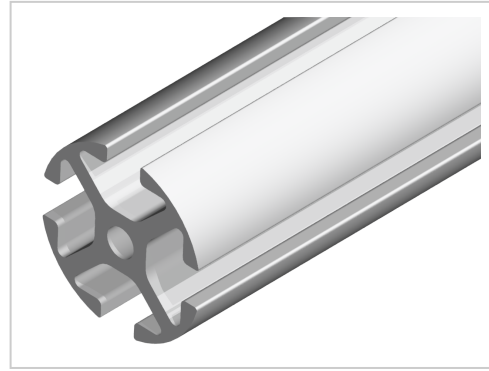


Profile Tube 6 D30, natural

Product number PL-1119 SZ

Weight 7.326kg



Product description

The profile 6 D30 offer more: Four profile grooves 6 for universal use of the accessories of the 6 series. This profile can be fully combined with tube and profile tube D30.

Product properties

Anodised	E6EV1 10-15 µm silver
Tolerances	EN 12020-2
Compatible with	item
Series	i- LPS Lean Production
Profile length	Cut length
Delivery unit	Cuts
Lean system type	D30 Aluminium i kit system

More images

