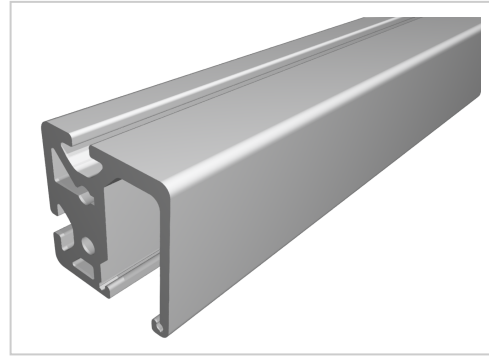


Roller Profile 8 D14, natural

Product number PI-1430 SN6000
Weight 25.08kg
Length 6000mm



Product description

The track roller profile is used to create bearing units D14 in suitable length up to 6000mm.

Product properties

Material Al Mg Si 0.5 F25, artificially aged
Anodised E6EV1 10-15 µm silver
Tolerances EN 12020-2
Part type Roller guides
Nutauszugskraft F=5.000 N
Delivery unit Rods
Series Series 8
Profile length 6000 mm bar
Diameter mm Ø 14
Colour natural

More images

