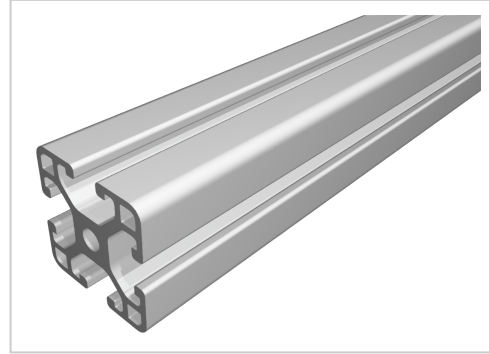


Profile 6 30x30 light, natural

Product number	PI-3060 SN6000
Weight	5.286kg
Length	6000mm



Product description

Profiles 6 light are particularly suitable for weight-optimised assemblies. The grooves and the core holes of the profiles 6 are designed for M6 screws.

Delivery length 6030 mm

Product properties

Material	Al Mg Si 0.5 F25, artificially aged
Anodised	E6EV1 10-15 µm silver
Tolerances	EN 12020-2
Compatible with	item
Nutauszugskraft	F=500 N
Breite Profil	30 mm
Höhe Profil	30 mm
Series	Series 6
Groove shape	Open grooves
Delivery unit	Rods
Contour	Square
Profile length	6000 mm bar
Execution	light
Size	30x30 mm
Colour	natural

More images

