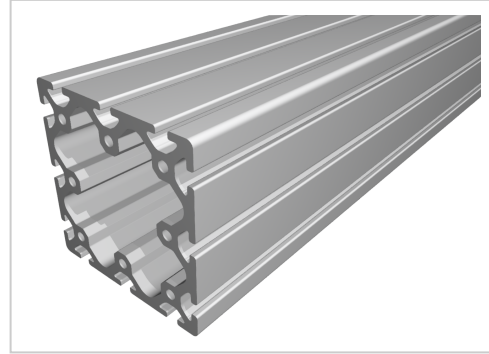


Profile 8 120x120, natural

Product number PI-1095 SN6000
Weight 74.562kg
Length 6000mm



Product description

Profiles 8 are suitable for a wide range of assemblies. The grooves and the core holes of the profiles 8 are designed for M8 screws.

Delivery length 6030 mm

Product properties

Material Al Mg Si 0.5 F25, artificially aged
Anodised E6EV1 10-15 µm silver
Tolerances EN 12020-2
Nutauszugskraft F=5.000 N
Breite Profil 120 mm
Höhe Profil 120 mm
Groove shape Open grooves
Delivery unit Rods
Series Series 8
Contour Square
Profile length 6000 mm bar
Colour natural
Execution heavy
Size 120x120 mm

More images

