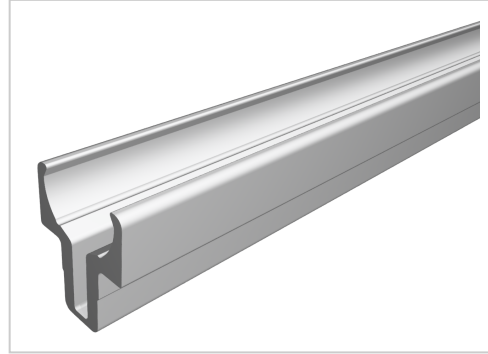


Shaft clamp Profile 8 D14, natural

Product number	PI-1535 SN3000
Weight	1.08kg
Length	3000mm



Product description

The shaft clamping profile is used to hold the guide shaft d14. The shaft is pressed into the profile groove by pressing in the shaft clamping profile. The shafts are secured by a DIN6325 cylindrical pin.

Product properties

Material	Al Mg Si 0.5 F25, artificially aged
Anodised	E6EV1 10-15 µm silver
Tolerances	EN 12020-2
Compatible with	item
Part type	Roller guides
Delivery unit	Rods
Series	Series 8
Diameter mm	Ø 14
Profile length	3000 mm bar
Colour	natural

More images

