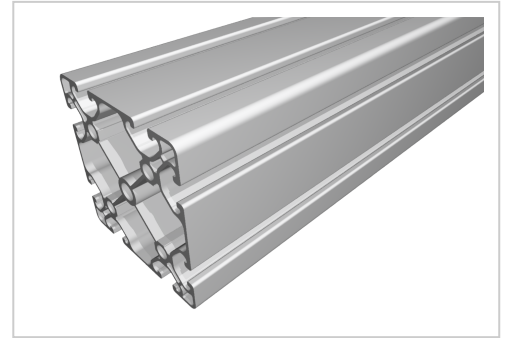


## Profile 10 100x100 E, natural

Profil 10 100x100 E natur – gewichtsreduziertes Economy-Aluprofil für modulare Konstruktionen. Ideal für große, stabile Rahmen bei geringem Gewicht.

**Product number** PI-7065 SZ

**Weight** 5.862kg



### Product description

Profiles 10 are suitable for a wide range of assemblies. The grooves and the core holes of the profiles 10 are designed for M10 screws.

Cut to size max. 6000 mm

### Product properties

<b>Material</b>	Al Mg Si 0.5 F25, artificially aged
<b>Anodised</b>	E6EV1 10-15 µm silver
<b>Tolerances</b>	EN 12020-2
<b>Compatible with</b>	item
<b>Nutauszugskraft</b>	F=3.500 N
<b>Breite Profil</b>	100 mm
<b>Höhe Profil</b>	100 mm
<b>Groove shape</b>	Open grooves
<b>Profile length</b>	Cut length
<b>Contour</b>	Square
<b>Size</b>	100x100 mm
<b>Delivery unit</b>	Cuts
<b>Series</b>	Series 10
<b>Colour</b>	natural
<b>Execution</b>	economy

More images

