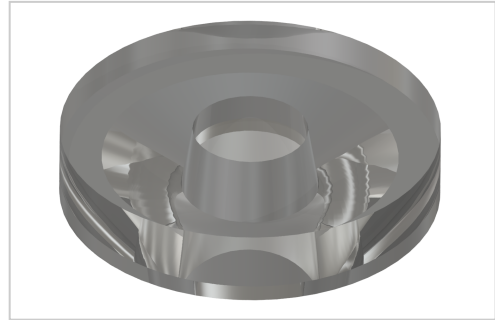


Anti Loos Washer M5, Polyamid natural

Product number ZB-3141

Weight 0.001kg



Product description

For quick and easy securing screws for Multiblocks etc.

Product properties

Compatible with Bosch

Series Series 60-10, Series 45-10, Series 50-10, Series 40-10, Series 30 8, Series 20-6

Part type Anti-loss washer

Colour natural

More images

