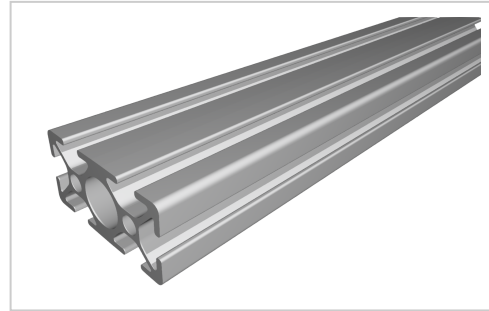


## Profile 830 60x30, natural

<b>Product number</b>	PI-2020 SN6000
<b>Weight</b>	11.028kg
<b>Length</b>	6000mm



### Product description

Profiles 8 30 are particularly suitable for weight-optimised assemblies. The grooves and the core holes of the profiles 8 30 are designed for M8 screws.

Delivery length 6030 mm

### Product properties

<b>Material</b>	Al Mg Si 0.5 F25, artificially aged
<b>Anodised</b>	E6EV1 10-15 µm silver
<b>Tolerances</b>	EN 12020-2
<b>Nutauszugskraft</b>	F=500 N
<b>Breite Profil</b>	60 mm
<b>Höhe Profil</b>	30 mm
<b>Groove shape</b>	Open grooves
<b>Delivery unit</b>	Rods
<b>Profile length</b>	6000 mm bar
<b>Size</b>	60x30 mm
<b>Contour</b>	Rectangular
<b>Colour</b>	natural
<b>Series</b>	Series 8 30
<b>Execution</b>	heavy

More images

