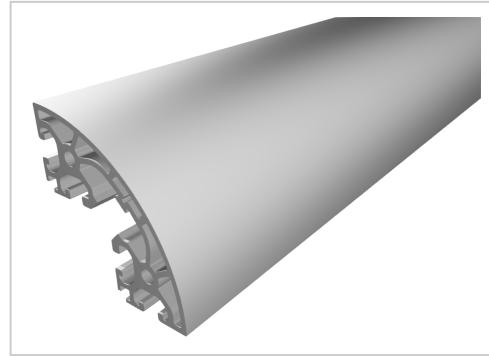


Profile 8 160x160, natural

Product number PI-6130 SZ

Weight 20.773kg



Product description

Profiles 8 are suitable for assemblies of all kinds. Due to the different profile geometries, the material requirements can be adapted to the application. The grooves and the core holes of the profiles 8 are designed for M8 screws.

Cut to size max. 6000 mm

Compatible with item 0.0.411.08

Product properties

Material	Al Mg Si 0.5 F25, artificially aged
Anodised	E6EV1 10-15 µm silver
Tolerances	EN 12020-2
Nutauszugskraft	F=2.500 N
Funktionsintegration	Kabelkanalöffnung
Execution	XMS, heavy
Profile length	Cut length
Series	Series 8
Delivery unit	Cuts
Contour	Round
Colour	natural
Size	80x40 mm
Groove shape	Radius profiles

More images

