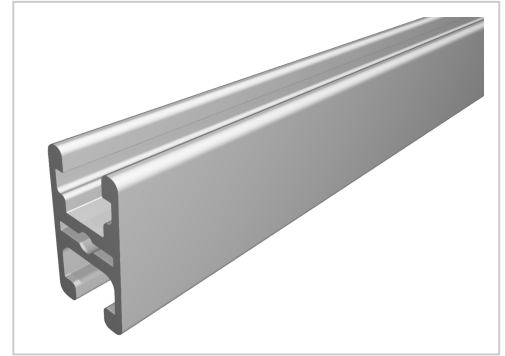


Clamp Profile 8 32x18, natural

Klemmprofil 8 32x18 natur – für flächenbündige und stabile Befestigung von Platten oder Füllungen. Ideal für Maschinenverkleidungen und modulare Konstruktionen.

Product number PI-1420 SZ

Weight 0.673kg



Product description

The clamping profile 18x32 is suitable for the construction of light sliding doors and swing doors. The panel element is fixed with a clamping spring. The clamping profile 18x32 has a groove with 10 mm and one with 8 mm. Cut to size max. 6000 mm

Product properties

| | |
|-----------------------------|-------------------------------------|
| Material | Al Mg Si 0.5 F25, artificially aged |
| Anodised | E6EV1 10-15 µm silver |
| Tolerances | EN 12020-2 |
| Compatible with | item |
| Nutauszugskraft | F=2.500 N |
| Breite Profil | 32 mm |
| Höhe Profil | 18 mm |
| Funktionsintegration | Flächenbefestigung |
| Profile length | Cut length |
| Series | Series 8 |
| Groove shape | Clamp Profile |
| Delivery unit | Cuts |
| Contour | Rectangular |
| Colour | natural |
| Execution | heavy |
| Size | 32x18 mm |

More images

