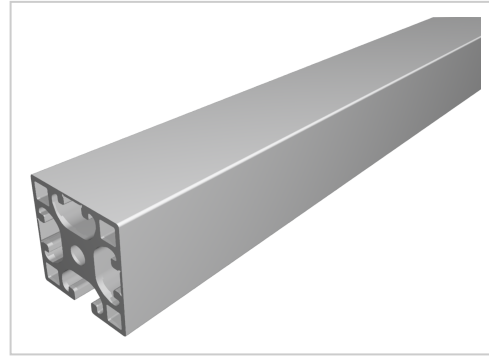


## Profile X 8 40x40 3N light, natural

<b>Product number</b>	PI-6013 SN6000
<b>Weight</b>	11.388kg
<b>Length</b>	6000mm



### Product description

The profiles of the Z8 series are weight-optimised profiles in cross-sections of 40x40, 40x80 and 80x80. The profile grooves are freely accessible or hidden under a flush smooth outer surface. If necessary, the cover can be easily opened and removed for the shoring of connecting elements or for the attachment of accessories. The sharp-edged geometry of the profile outer edge results in a smooth transition in the profile joint. The grooves and the core holes of the Z8 profiles are designed for M8 screws.

Delivery length 6030 mm

### Product properties

<b>Material</b>	Al Mg Si 0.5 F25, artificially aged
<b>Anodised</b>	E6EV1 10-15 µm silver
<b>Tolerances</b>	EN 12020-2
<b>Nutauszugskraft</b>	F=2.500 N
<b>Breite Profil</b>	40 mm
<b>Höhe Profil</b>	40 mm
<b>Funktionsintegration</b>	einfache Nutöffnung (NO)
<b>Execution</b>	X, light
<b>Delivery unit</b>	Rods
<b>Series</b>	Series 8
<b>Contour</b>	Square
<b>Profile length</b>	6000 mm bar
<b>Groove shape</b>	3 sides closed
<b>Size</b>	40x40 mm
<b>Colour</b>	natural

More images

