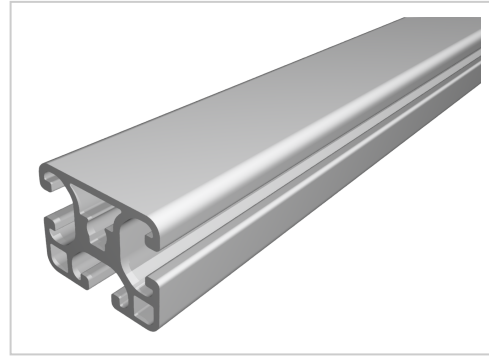


Profile 8 40x32 light, natural

Product number PI-1194 SN6000
Weight 8.298kg
Length 6000mm



Product description

Profiles 8 are suitable for assemblies of all kinds. Due to the different profile geometries, the material requirements can be adapted to the application. The grooves and the core holes of the profiles 8 are designed for M8 screws.

Delivery length 6030 mm

Product properties

Material Al Mg Si 0.5 F25, artificially aged
Anodised E6EV1 10-15 µm silver
Tolerances EN 12020-2
Compatible with item
Nutauszugskraft F=2.500 N
Breite Profil 40 mm
Höhe Profil 32 mm
Delivery unit Rods
Series Series 8
Groove shape Clamp Profile
Profile length 6000 mm bar
Size 40x32 mm
Execution light
Contour Rectangular
Colour natural

More images

