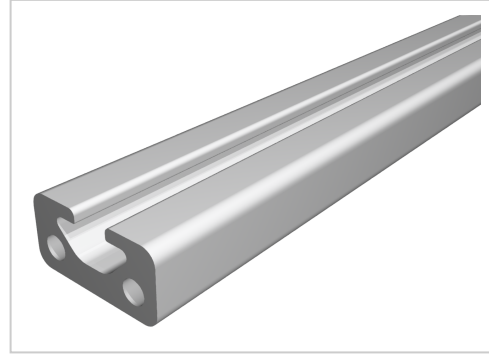


Profile 5 20x10, natural

Product number	PI-4010 SN6000
Weight	12.6kg
Length	6000mm



Product description

The compact design of Profiles 5 makes them particularly suitable for small and weight-optimised assemblies. The grooves and the core holes of the profiles 5 are designed for M5 screws.

Delivery length 6030 mm

Product properties

Compatible with	item
Nutauszugskraft	F=500 N
Breite Profil	20 mm
Höhe Profil	10 mm
Size	20x10 mm
Groove shape	Open grooves
Delivery unit	Rods
Profile length	6000 mm bar
Contour	Rectangular
Series	Series 5
Colour	natural
Execution	heavy

More images

