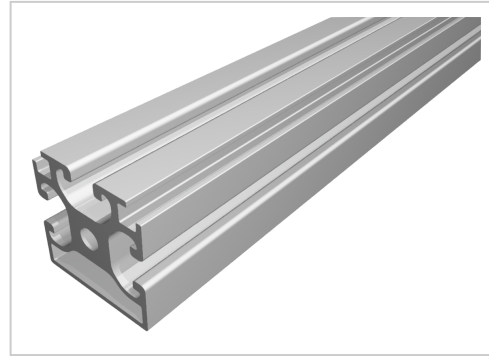


## Profile 8 40x40, natural

**Product number** PI-6160 SN6000  
**Weight** 11.34kg  
**Length** 6000mm



### Product description

Profiles 8 are suitable for a wide range of assemblies. The grooves and the core holes of the profiles 8 are designed for M8 screws.

Delivery length 6030 mm

### Product properties

<b>Material</b>	Al Mg Si 0.5 F25, artificially aged
<b>Anodised</b>	E6EV1 10-15 µm silver
<b>Tolerances</b>	EN 12020-2
<b>Compatible with</b>	item
<b>Nutauszugskraft</b>	F=2.500 N
<b>Breite Profil</b>	40 mm
<b>Höhe Profil</b>	40 mm
<b>Funktionsintegration</b>	Türdichtungsnut
<b>Groove shape</b>	1 side closed
<b>Delivery unit</b>	Rods
<b>Series</b>	Series 8
<b>Profile length</b>	6000 mm bar
<b>Execution</b>	light
<b>Size</b>	40x40 mm
<b>Colour</b>	natural

More images

