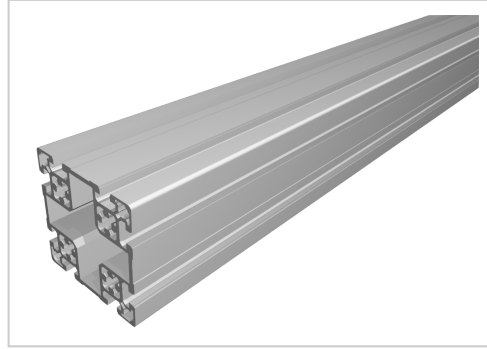


Profile 100x100 light natural-10

Product number PB-1330 SZ

Weight 8.12kg



Product description

The profiles in pitch 50 with groove 10 are suitable for assemblies of all kinds. Due to the different profile geometries, the material requirements can be adapted to the application. The grooves are designed for M8 screws.

Cut to size max. 6000 mm

Product properties

Material	Al Mg Si 0.5 F25, artificially aged
Anodised	E6EV1 10-15 µm silver
Tolerances	EN 12020-2
Compatible with	Bosch
Nutauszugskraft	F=7.000 N
Breite Profil	100 mm
Höhe Profil	100 mm
Groove shape	Open grooves
Profile length	Cut length
Contour	Square
Size	100x100 mm
Delivery unit	Cuts
Execution	light
Series	Series 50-10
Colour	natural
Modular dimension	Modular dimension 50

More images

