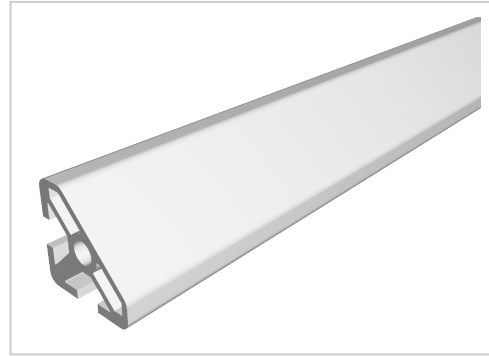


Profile 5 20x20 45°, natural

Product number	PI-4120 SN6000
Weight	2.298kg
Length	6000mm



Product description

The compact design of Profiles 5 with closed grooves makes them particularly suitable for small and weight-optimised assemblies. With the closed groove side, visually appealing and low-maintenance constructions can be realised. The grooves and core holes of Profiles 5 are designed for M5 screws.

Delivery length 6030 mm

Product properties

Material	Al Mg Si 0.5 F25, artificially aged
Anodised	E6EV1 10-15 µm silver
Tolerances	EN 12020-2
Nutauszugskraft	F=500 N
Delivery unit	Rods
Profile length	6000 mm bar
Groove shape	Angle bracket profile
Series	Series 5
Size	20x20 mm
Colour	natural
Contour	Triangular
Execution	heavy

More images

