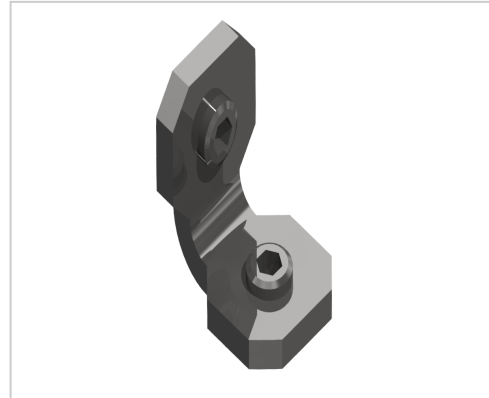


Inner Connector Set-6

Product number VB-1008

Weight 0.003kg



Product description

The inner connector is used for connecting two angle profiles in the 90 degrees. It is not required profile machining.

Product properties

Profile processing without profile machining

Compatible with Bosch

Part type Connector

Connector type Inside connector

Series Series 20-6

Material Galvanized steel

More images

