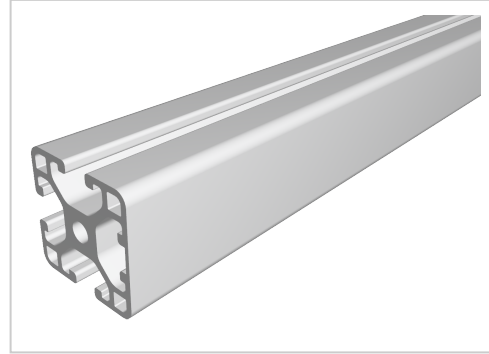


Profile 6 30x30 1N light, natural

Product number PI-3110 SZ

Weight 0.94kg



Product description

The profiles 6 light with closed grooves are suitable for weight-optimised assemblies of all kinds. With the closed groove side, visually appealing and low-maintenance constructions can be realised. The grooves and the core holes of the profiles 6 are designed for M6 screws.

Cut to size max. 6000 mm

Product properties

Material	Al Mg Si 0.5 F25, artificially aged
Anodised	E6EV1 10-15 µm silver
Tolerances	EN 12020-2
Compatible with	item
Nutauszugskraft	F=500 N
Series	Series 6
Groove shape	1 side closed
Profile length	Cut length
Contour	Square
Delivery unit	Cuts
Execution	light
Size	30x30 mm
Colour	natural

More images

