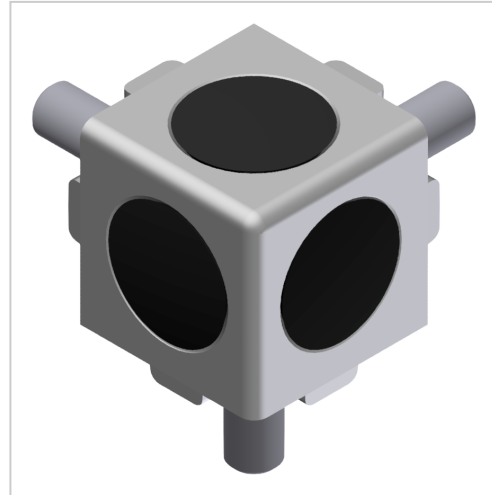


Cube Connector Set 3D 20, natural-6

Product number VB-1080



Product description

Connecting sets enable the construction of visually appealing 3D room corners with 3 profiles or a corner angle with 2 profiles. A thread must be drilled into the end face of the corner profiles.

Product properties

Part type	Connector
Series	Series 6
Connector type	Corner connectors
Colour	natural

More images

