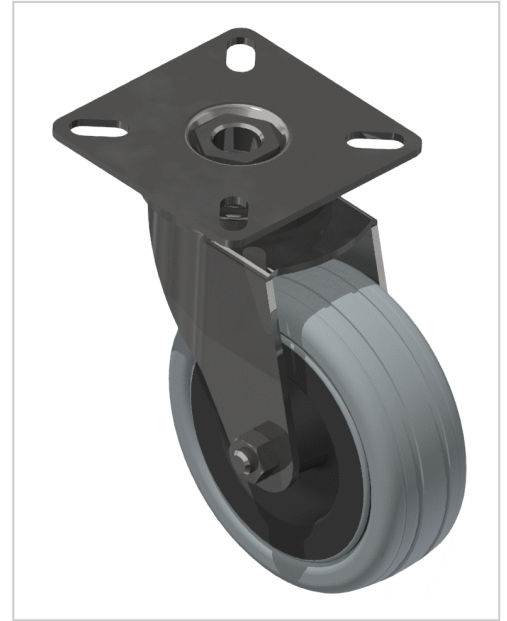


Castor D75 swivel Fitting Plate, bright zinc-plated

Product number M-103



Product description

Swivel and fixed castors are used on assemblies and frames of all kinds. They have very good rolling characteristics and are highly resilient. The castors are resistant to many environmental influences.

Product properties

Roll type	Swivel castor
Mounting type	Screw-on plate
Compatible with	Beewatec
Series	S- LPS Lean Production
Lean system type	D28 steel kit system
Load capacity	60 kg
Size	Ø 75

More images



