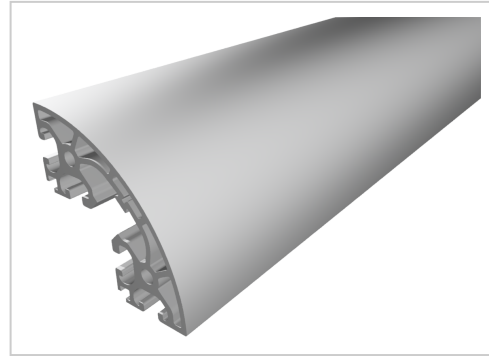


Profile 8 160x160, natural

Product number PI-6130 SN6000
Weight 22.02kg
Length 6000mm



Product description

Profiles 8 are suitable for a wide range of assemblies. The grooves and the core holes of the profiles 8 are designed for M8 screws.

Delivery length 6030 mm

Compatible with item 0.0.465.85

Product properties

Material	Al Mg Si 0.5 F25, artificially aged
Anodised	E6EV1 10-15 µm silver
Tolerances	EN 12020-2
Compatible with	item
Nutauszugskraft	F=2.500 N
Funktionsintegration	Kabelkanalöffnung
Execution	XMS, heavy
Delivery unit	Rods
Series	Series 8
Profile length	6000 mm bar
Contour	Round
Colour	natural
Size	80x40 mm
Groove shape	Radius profiles

More images

