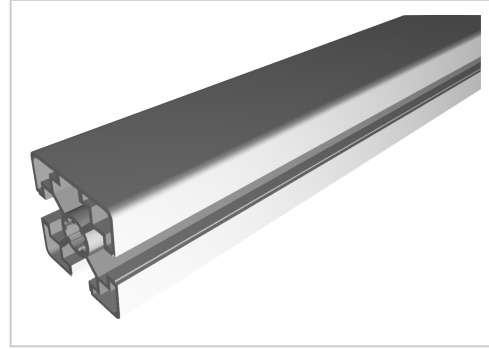


Profile 45x45 3N light natural-10

Product number PB-1220 SN6000

Weight 9.42kg

Length 6000mm



Product description

The profiles in pitch 45 with groove 10 are suitable for assemblies of all kinds. Due to the different profile geometries, the material requirements can be adapted to the application. The grooves are designed for M8 screws.

Delivery length 6030 mm

Compatible with Bosch 3 842 992 404

Product properties

Material	Al Mg Si 0.5 F25, artificially aged
Anodised	E6EV1 10-15 µm silver
Tolerances	EN 12020-2
Compatible with	Bosch
Nutauszugskraft	F=7.000 N
Breite Profil	45 mm
Höhe Profil	45 mm
Groove shape	1 side closed
Delivery unit	Rods
Series	Series 45-10
Contour	Square
Profile length	6000 mm bar
Execution	light
Colour	natural
Modular dimension	Modular dimension 45
Size	45x45 mm

More images

