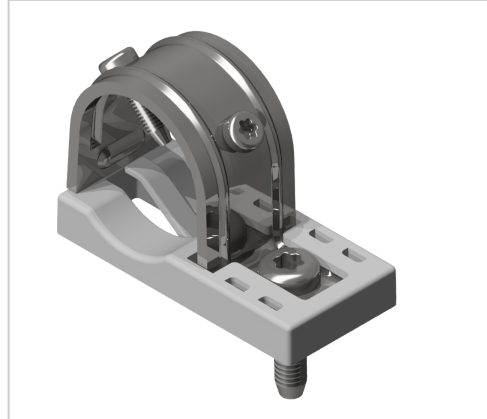


Table-Top Fastening Set D30

Product number ZL-1948

Weight 0.065kg



Product description

For attaching a table top to frames made of round tube profiles with an outer diameter of Ø 30.

Product properties

Compatible with	item
Series	i- LPS Lean Production
Colour	Alu natural
Part type	Plate fastening
Material	GD-Al, natur
Lean system type	D30 Aluminium i kit system

More images

