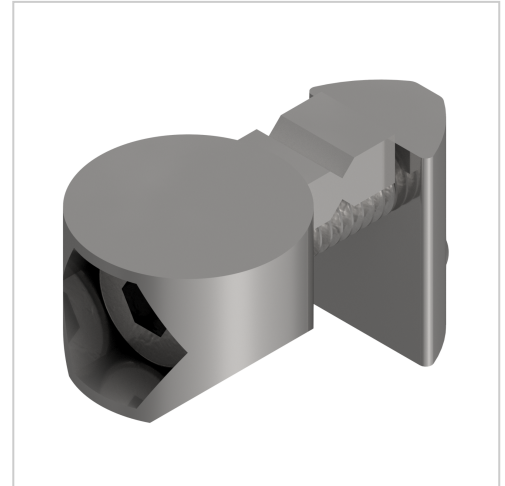


Universal-Fastening Set 5, bright zinc-plated

Product number VI-4020

Weight 0.007kg



Product description

Universal and friction-locked connection of all profiles in a series Can be subsequently slid in the groove. Can be retrofitted into an existing construction. Machining only on one profile

Product properties

Compatible with	item
Part type	Connector
suitable connector	suitable connector 5
Material	GD-Zn
Series	Series 5
Colour	galvanized
Connector type	Universal fasteners

More images

