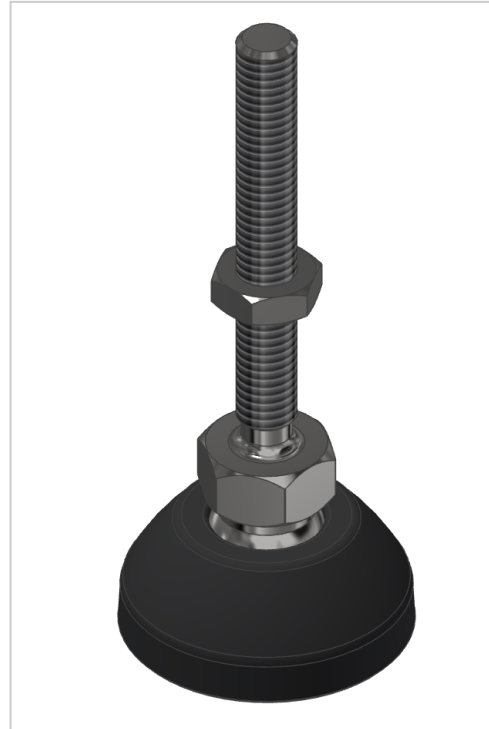


Knuckle Foot D20, M5x45, black

Product number ZI-4180

Weight 0.007kg



Product description

Adjustable feet are used for stepless height and level adjustment of assemblies and racks of any kind. The inclination of the plate is variable. A rubber insert can be fitted as an option.

Product properties

| | |
|-------------------------------|----------|
| Compatible with | item |
| Colour | black |
| Adjustable foot type | PA |
| Material | PA-GF |
| Series | Series 5 |
| Thread | M5 |
| Base for swivel feet Ø | 20 mm |
| Load capacity | 50 kg |

More images

