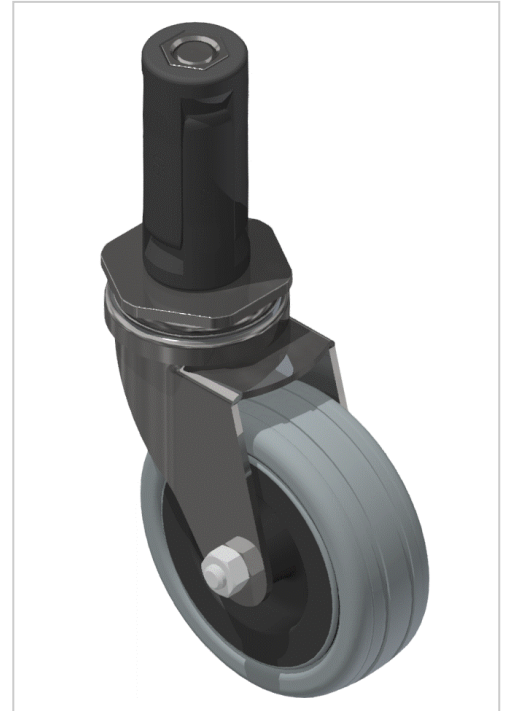


Castor D75 swivel plug-in Pin, bright zinc-plated

Product number M-109
Weight 0.31kg



Product description

Swivel and fixed castors are used on assemblies and frames of all kinds. They have very good rolling characteristics and are highly resilient. The castors are resistant to many environmental influences.

Product properties

Roll type Swivel castor
Mounting type Tenon
Part type Apparatus castors
Roller diameter Ø 75 mm
Lean system type D28 steel kit system
Load capacity 60 kg

More images



