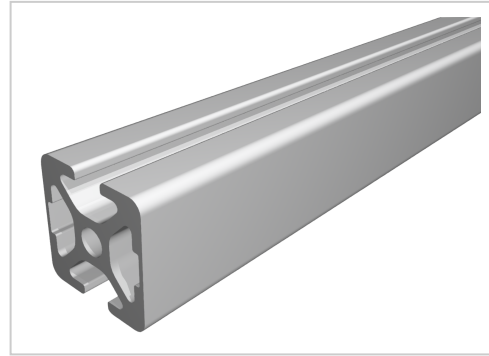


Profile 5 20x20 2N180, natural

Product number PI-4034 SZ

Weight 0.486kg



Product description

The compact design of Profiles 5 makes them particularly suitable for small and weight-optimised assemblies. The grooves and core holes of Profiles 5 are designed for M5 screws.

Cut to size max. 6000 mm

Product properties

Material	Al Mg Si 0.5 F25, artificially aged
Anodised	E6EV1 10-15 µm silver
Tolerances	EN 12020-2
Nutauszugskraft	F=500 N
Breite Profil	20 mm
Höhe Profil	20 mm
Profile length	Cut length
Contour	Square
Delivery unit	Cuts
Groove shape	2 sides closed 180°
Series	Series 5
Size	20x20 mm
Colour	natural
Execution	heavy

More images

