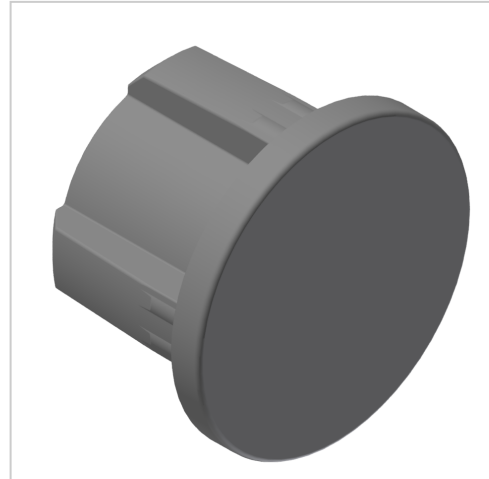


Cap, Tube D30, grey

Product number ZL-1905

Weight 0.05kg



Product description

Cover cap for tube ends

Product properties

Compatible with	item
Series	i- LPS Lean Production
Colour	grey
Part type	Caps for profiles
Lean system type	D30 Aluminium i kit system
Material	PA-GF grey similar Ral 7035

More images

