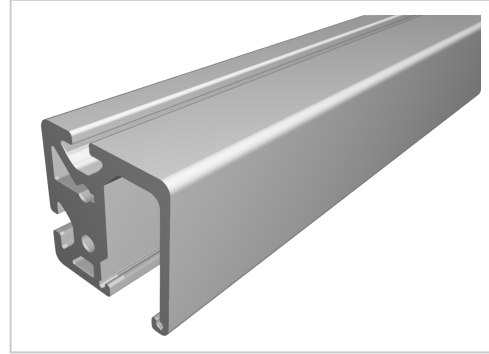


Roller Profile 8 D14, natural

Product number PI-1430 SZ

Weight 4.18kg



Product description

The track roller profile is used to create bearing units D14 in suitable length up to 6000mm.

Cut to size max. 6000 mm

Compatible with item 0.0.426.02

Product properties

Material	Al Mg Si 0.5 F25, artificially aged
Anodised	E6EV1 10-15 µm silver
Tolerances	EN 12020-2
Compatible with	item
Part type	Roller guides, Sliding door guides
Nutauszugskraft	F=5.000 N
Profile length	Cut length
Series	Series 8
Delivery unit	Cuts
Contour	Rectangular
Diameter mm	Ø 14
Colour	natural
Groove shape	Slide door profiles

More images

