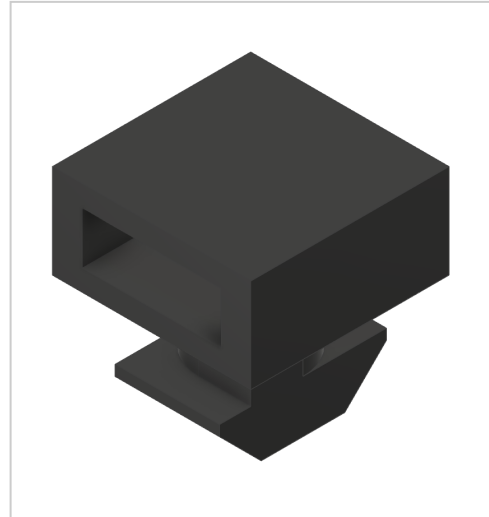


Cable Binding Block PA, black-10

Product number ZB-3147

Weight 0.004kg



Product description

To clean and neat fixing cables or Schauchen in machine frames.

Product properties

Compatible with Bosch

Colour black

Series Series 60-10, Series 45-10, Series 50-10, Series 40-10

Part type Cable ties block

More images

