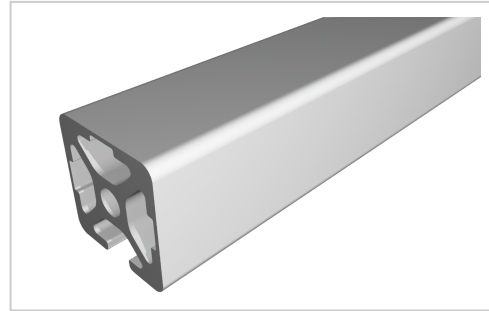


## Profile 5 20x20 3N, natural

**Product number** PI-4141 SN6000  
**Weight** 3.072kg  
**Length** 6000mm



### Product description

The compact design of Profiles 5 with closed grooves makes them particularly suitable for small and weight-optimised assemblies. With the closed groove side, visually appealing and low-maintenance constructions can be realised. The grooves and core holes of Profiles 5 are designed for M5 screws.

Delivery length 6030 mm

### Product properties

**Material** Al Mg Si 0.5 F25, artificially aged  
**Anodised** E6EV1 10-15 µm silver  
**Tolerances** EN 12020-2  
**Compatible with** item  
**Nutauszugskraft** F=500 N  
**Delivery unit** Rods  
**Contour** Square  
**Groove shape** 3 sides closed  
**Series** Series 5  
**Size** 20x20 mm  
**Colour** natural  
**Execution** heavy

More images

