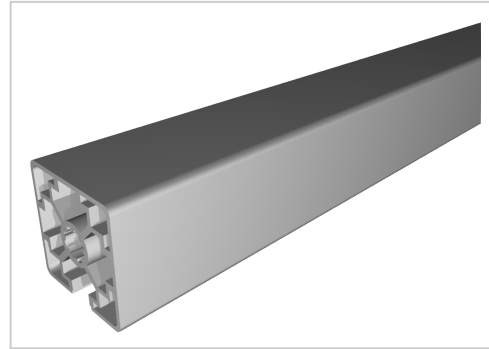


# Profile 45x45 1N light natural-10

**Product number** PB-1215 SZ

**Weight** 1.69kg



## Product description

The profiles in pitch 45 with groove 10 are suitable for assemblies of all kinds. Due to the different profile geometries, the material requirements can be adapted to the application. The grooves are designed for M8 screws.

Cut to size max. 6000 mm

Compatible with Bosch 3 842 992 401

## Product properties

<b>Compatible with</b>	Bosch
<b>Nutauszugskraft</b>	F=7.000 N
<b>Breite Profil</b>	45 mm
<b>Höhe Profil</b>	45 mm
<b>Series</b>	Series 45-10
<b>Profile length</b>	Cut length
<b>Contour</b>	Square
<b>Groove shape</b>	3 sides closed
<b>Delivery unit</b>	Cuts
<b>Execution</b>	light
<b>Colour</b>	natural
<b>Modular dimension</b>	Modular dimension 45
<b>Size</b>	45x45 mm

More images

