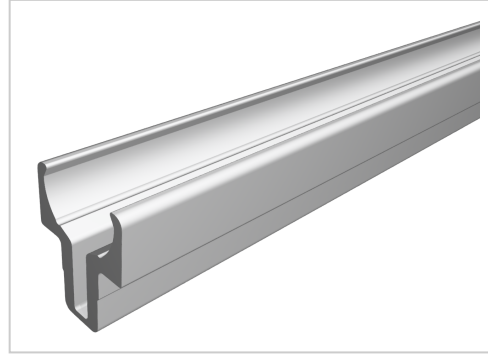


## Shaft clamp Profile 8 D14, natural

**Product number** PI-1535 SN6000  
**Weight** 2.16kg  
**Length** 6000mm



### Product description

The shaft clamping profile is used to hold the guide shaft d14. The shaft is pressed into the profile groove by pressing in the shaft clamping profile. The shafts are secured by a DIN6325 cylindrical pin.

### Product properties

**Delivery unit** Rods  
**Series** Series 8  
**Profile length** 6000 mm bar  
**Diameter mm** Ø 14  
**Colour** natural

More images

