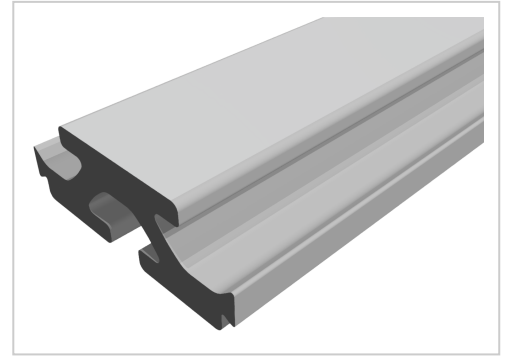


Bed Plate Connection Profile 8 55x20, natural

Plattenverbindungsprofil 8 55x20 natur – zur flächenbündigen Verbindung von Abdeckplatten oder Flächenelementen. Ideal für Verkleidungen und modulare Systeme.

Product number PI-1004 SZ

Weight 1.543kg



Product description

Plate profiles 8 are used for the production of variably sized surfaces with grooves 8 in a 40. grid. The fastening can be done on profile racks of different types

Cut to size max. 6000 mm

Product properties

Material	Al Mg Si 0.5 F25, artificially aged
Anodised	E6EV1 10-15 µm silver
Tolerances	EN 12020-2
Compatible with	item
Nutauszugskraft	F=5.000 N
Breite Profil	55 mm
Höhe Profil	20 mm
Groove shape	Open grooves
Profile length	Cut length
Series	Series 8
Delivery unit	Cuts
Size	20x55 mm
Contour	Rectangular
Colour	natural
Execution	heavy

More images

