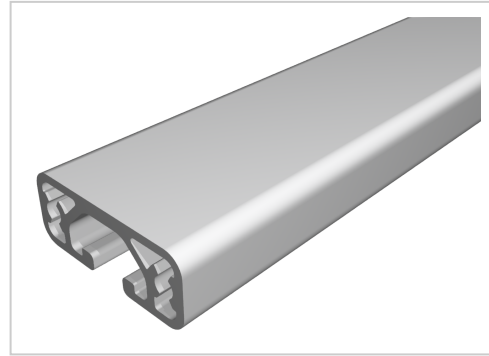


Profile 6 30x12 light, natural

Product number	PI-3053 SN6000
Weight	2.58kg
Length	6000mm



Product description

Profiles 6 light are particularly suitable for weight-optimised assemblies. The grooves and the core holes of the profiles 6 are designed for M6 screws.

Delivery length 6030 mm

Product properties

Material	Al Mg Si 0.5 F25, artificially aged
Anodised	E6EV1 10-15 µm silver
Tolerances	EN 12020-2
Nutauszugskraft	F=500 N
Breite Profil	30 mm
Höhe Profil	12 mm
Series	Series 6
Groove shape	Open grooves
Delivery unit	Rods
Profile length	6000 mm bar
Execution	light
Size	30x12 mm
Contour	Rectangular
Colour	natural

More images

