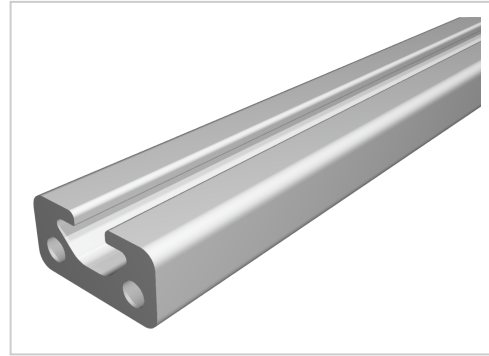


Profile 5 20x10, natural

Product number PI-4010 SN3000
Length 3000mm



Product description

The compact design of Profiles 5 makes them particularly suitable for small and weight-optimised assemblies. The grooves and the core holes of the profiles 5 are designed for M5 screws.

Delivery length 3000 mm

Product properties

Material	Al Mg Si 0.5 F25, artificially aged
Anodised	E6EV1 10-15 µm silver
Tolerances	EN 12020-2
Nutauszugskraft	F=500 N
Breite Profil	20 mm
Höhe Profil	10 mm
Size	20x10 mm
Groove shape	Open grooves
Delivery unit	Rods
Contour	Rectangular
Series	Series 5
Profile length	3000 mm bar
Colour	natural
Execution	heavy

More images

