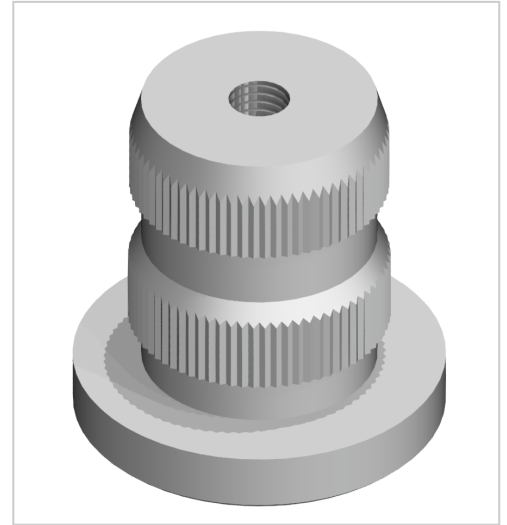


Threaded Insert, Profile Tube D30 M6 Al, natural

Product number ZL-1900

Weight 0.03kg



Product description

The threaded plug is inserted into the front of the tube. Adjustable feet can then be attached.

Product properties

Compatible with	item
Series	i- LPS Lean Production
Part type	Threaded inserts profile tube
Colour	Alu natural
Material	GD-Al, natur
Lean system type	D30 Aluminium i kit system

More images

