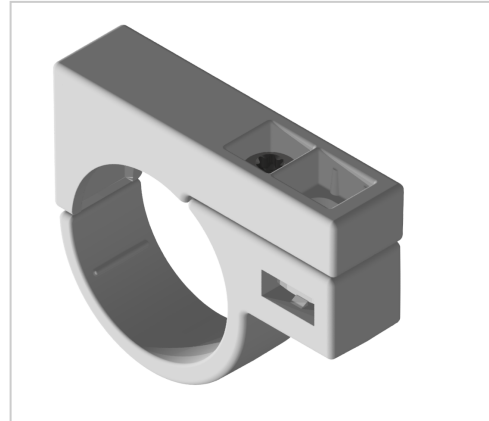


Panel Fastener D30

Product number ZL-1962

Weight 0.019kg



Product description

For attaching panel elements to frames made of round tubular profiles with an outer diameter of Ø 30.

Product properties

Compatible with	item
Series	i- LPS Lean Production
Colour	grey
Part type	Plate fastening
Lean system type	D30 Aluminium i kit system
Material	PA-GF grey similar Ral 7035

More images

