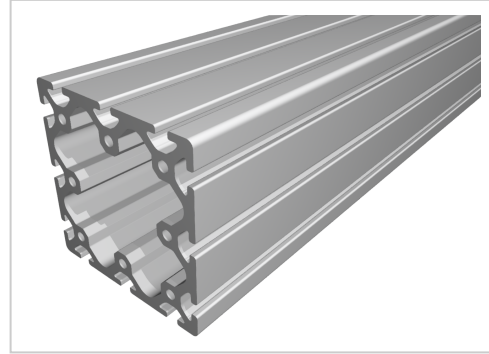


## Profile 8 120x120, natural

**Product number** PI-1095 SZ

**Weight** 12.452kg



### Product description

Profiles 8 are suitable for assemblies of all kinds. Due to the different profile geometries, the material requirements can be adapted to the application. The grooves and the core holes of the profiles 8 are designed for M8 screws.

Cut to size max. 6000 mm

### Product properties

<b>Nutauszugskraft</b>	F=5.000 N
<b>Breite Profil</b>	120 mm
<b>Höhe Profil</b>	120 mm
<b>Groove shape</b>	Open grooves
<b>Profile length</b>	Cut length
<b>Series</b>	Series 8
<b>Contour</b>	Square
<b>Delivery unit</b>	Cuts
<b>Colour</b>	natural
<b>Execution</b>	heavy
<b>Size</b>	120x120 mm

More images

