

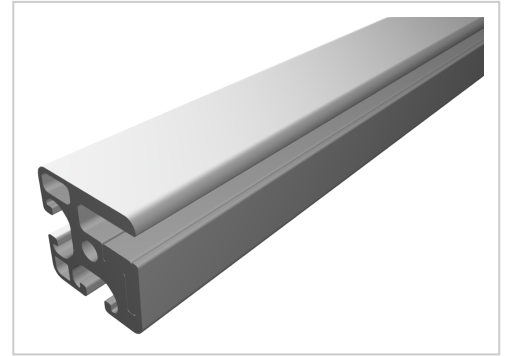
Clamp Profile 8 40x40, natural

Klemmprofil 8 40x40 natur – zur flächenbündigen Montage von Platten, Verkleidungen und Füllungen in Profilrahmen. Ideal für Maschinenbau und Schutzverkleidungen.

Product number PI-1390 SN6000

Weight 13.8kg

Length 6000mm



Product description

Profiles 8 are suitable for assemblies of all kinds. Due to the different profile geometries, the material requirements can be adapted to the application. The grooves and the core holes of the profiles 8 are designed for M8 screws. Clamping profiles are used to build large and stable protective panels. The panel elements are screwed together with cylinder head screws and clamping strips. The direct screwing of the panel element supports the stability of the panel. Panel size: clear inside dimension +30.0 mm

Delivery length 6030 mm

Product properties

Material	Al Mg Si 0.5 F25, artificially aged
Anodised	E6EV1 10-15 µm silver
Tolerances	EN 12020-2
Compatible with	item
Nutauszugskraft	F=5.000 N
Breite Profil	40 mm
Höhe Profil	40 mm
Funktionsintegration	Flächenbefestigung
Delivery unit	Rods
Series	Series 8
Contour	Square
Groove shape	Clamp Profile
Profile length	6000 mm bar
Size	40x40 mm
Colour	natural
Execution	heavy

More images

