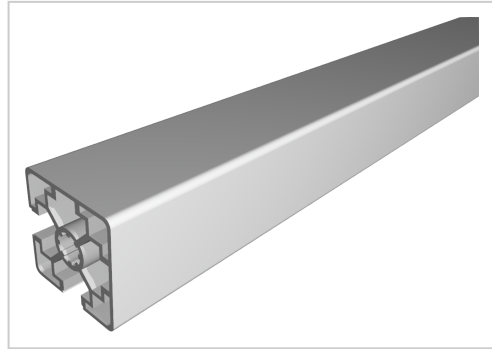


Profile 45x45 2N 90° light natural-10

Product number PB-1225 SZ

Weight 1.64kg



Product description

The profiles in pitch 45 with groove 10 are suitable for assemblies of all kinds. Due to the different profile geometries, the material requirements can be adapted to the application. The grooves are designed for M8 screws.

Cut to size max. 6000 mm

Compatible with Bosch 3 842 992 402

Product properties

Material	Al Mg Si 0.5 F25, artificially aged
Anodised	E6EV1 10-15 µm silver
Tolerances	EN 12020-2
Compatible with	Bosch
Nutauszugskraft	F=7.000 N
Breite Profil	45 mm
Höhe Profil	45 mm
Series	Series 45-10
Profile length	Cut length
Contour	Square
Delivery unit	Cuts
Execution	light
Colour	natural
Modular dimension	Modular dimension 45
Size	45x45 mm
Groove shape	2 sides closed 90°

More images

