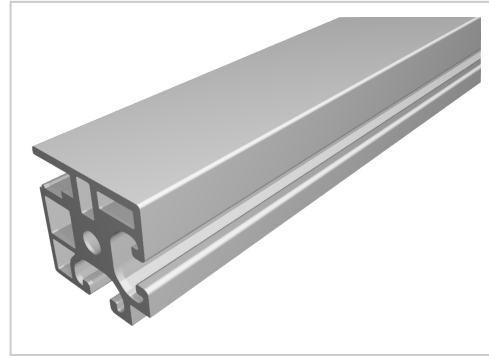


Profile 8 40x40, natural

Product number	PI-6170 SN6000
Weight	11.34kg
Length	6000mm



Product description

Profiles 8 are suitable for a wide range of assemblies. The grooves and the core holes of the profiles 8 are designed for M8 screws.

Delivery length 6030 mm

Product properties

Material	Al Mg Si 0.5 F25, artificially aged
Anodised	E6EV1 10-15 µm silver
Tolerances	EN 12020-2
Compatible with	item
Nutauszugskraft	F=2.500 N
Breite Profil	40 mm
Höhe Profil	40 mm
Funktionsintegration	Flächenbefestigung
Execution	XMS, light
Groove shape	1 side closed
Delivery unit	Rods
Contour	Square
Profile length	6000 mm bar
Size	40x40 mm
Colour	natural

More images

